

User guide

**MAGNAVOX**  
SMART. VERY SMART.

## MCS225 CD Soundmachine



### Need help? Call us!

Magnavox representatives are ready to help you with any questions about your new product. We can guide you through Connections, First-time Setup, or any of the Features. We want you to start enjoying your new product right away!

**CALL US BEFORE YOU CONSIDER  
RETURNING THE PRODUCT!**

**1-800-705-2000**

or

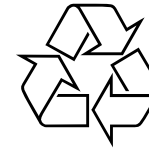
Visit us on the web at [www.usasupport.magnavox.com](http://www.usasupport.magnavox.com)



**PHILIPS CONSUMER ELECTRONICS  
NORTH AMERICA**

Knoxville, Tennessee 37914-1810, U.S.A.

Meet Magnavox at the Internet  
<http://www.usasupport.magnavox.com>



MCS225

Printed in China

AL-512

## Return your Product Registration Card today to get the very most from your purchase.

Registering your model with MAGNAVOX makes you eligible for all of the valuable benefits listed below, so don't miss out. Complete and return your Product Registration Card at once to ensure:

### \*Proof of Purchase

Returning the enclosed card guarantees that your date of purchase will be on file, so no additional paperwork will be required from you to obtain warranty service.

### \*Product Safety Notification

By registering your product, you'll receive notification - directly from the manufacturer - in the rare case of a product recall or safety defect.

### \*Additional Benefits of Product Ownership

Registering your product guarantees that you'll receive all of the privileges to which you're entitled, including special money-saving offers.

## MAGNAVOX

Congratulations on your purchase,  
and welcome to the "family!"

### Dear MAGNAVOX product owner:

Thank you for your confidence in MAGNAVOX. You've selected one of the best-built, best-backed products available today. We'll do everything in our power to keep you happy with your purchase for many years to come.

As a member of the MAGNAVOX "family," you're entitled to protection by one of the most comprehensive warranties and outstanding service networks in the industry. What's more, your purchase guarantees you'll receive all the information and special offers for which you qualify, plus easy access to accessories from our convenient home shopping network.

Most importantly, you can count on our uncompromising commitment to your total satisfaction.

All of this is our way of saying welcome - and thanks for investing in a MAGNAVOX product.

**P.S. To get the most from your MAGNAVOX purchase, be sure to complete and return your Product Registration Card at once.**

### Know these safety symbols



This "bolt of lightning" indicates uninsulated material within your unit may cause an electrical shock. For the safety of everyone in your household, please do not remove product covering.

The "exclamation point" calls attention to features for which you should read the enclosed literature closely to prevent operating and maintenance problems.

**WARNING:** To reduce the risk of fire or electric shock, this apparatus should not be exposed to rain or moisture, and objects filled with liquids, such as vases, should not be placed on this apparatus.

**CAUTION:** To prevent electric shock, match wide blade of plug to wide slot, fully insert.

**ATTENTION:** Pour éviter les choc électriques, introduire la lame la plus large de la fiche dans la borne correspondante de la prise et pousser jusqu'au fond.

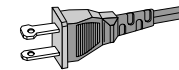
#### For Customer Use

Enter below the Serial No. which is located on the rear of the cabinet. Retain this information for future reference.

Model No. \_\_\_\_\_  
Serial No. \_\_\_\_\_

## IMPORTANT SAFETY INSTRUCTIONS

1. Read these instructions.
2. Keep these instructions.
3. Heed all warnings.
4. Follow all instructions.
5. Do not use this apparatus near water.
6. Clean only with a piece of dry cloth.
7. Do not block any ventilation openings. Install in accordance with the manufacturer's instructions.
8. Do not install near any heat sources such as radiators, heat registers, stoves, or other apparatus (including amplifiers) that produce heat.
9. Do not defeat the safety purpose of the polarized or grounding-type plug. A polarized plug has two blades with one wider than the other. A grounding type plug has two blades and a third grounding prong. The wide blade or the third prong are provided for your safety. If the provided plug does not fit into your outlet, consult an electrician for replacement of the obsolete outlet.
10. Protect the power cord from being walked on or pinched, particularly at plugs, convenience receptacles, and the point where they exit from the apparatus.
11. Only use attachments/accessories specified by the manufacturer.
12. Use only with the cart, stand, tripod, bracket, or table specified by the manufacturer or sold with the apparatus. When a cart is used, use caution when moving the cart /apparatus combination to avoid injury from tip-over.



AC Polarized Plug

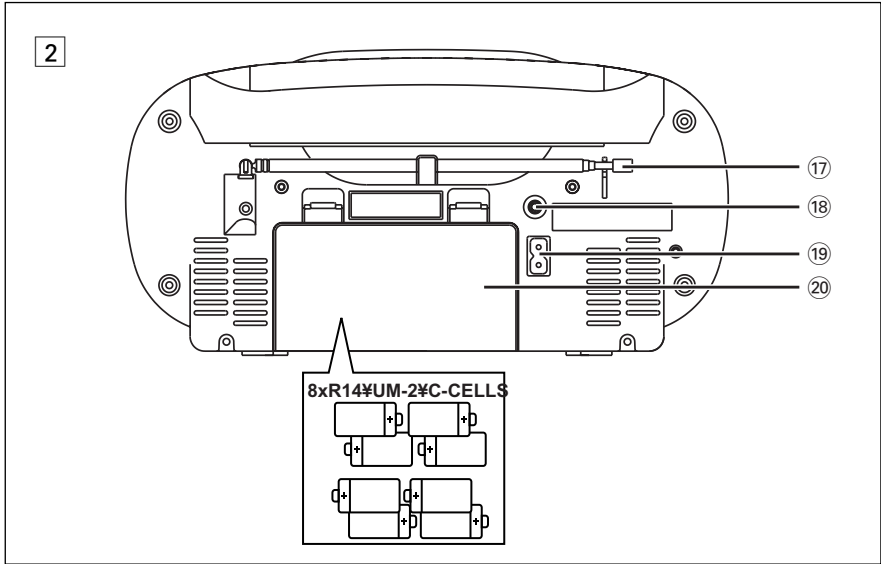
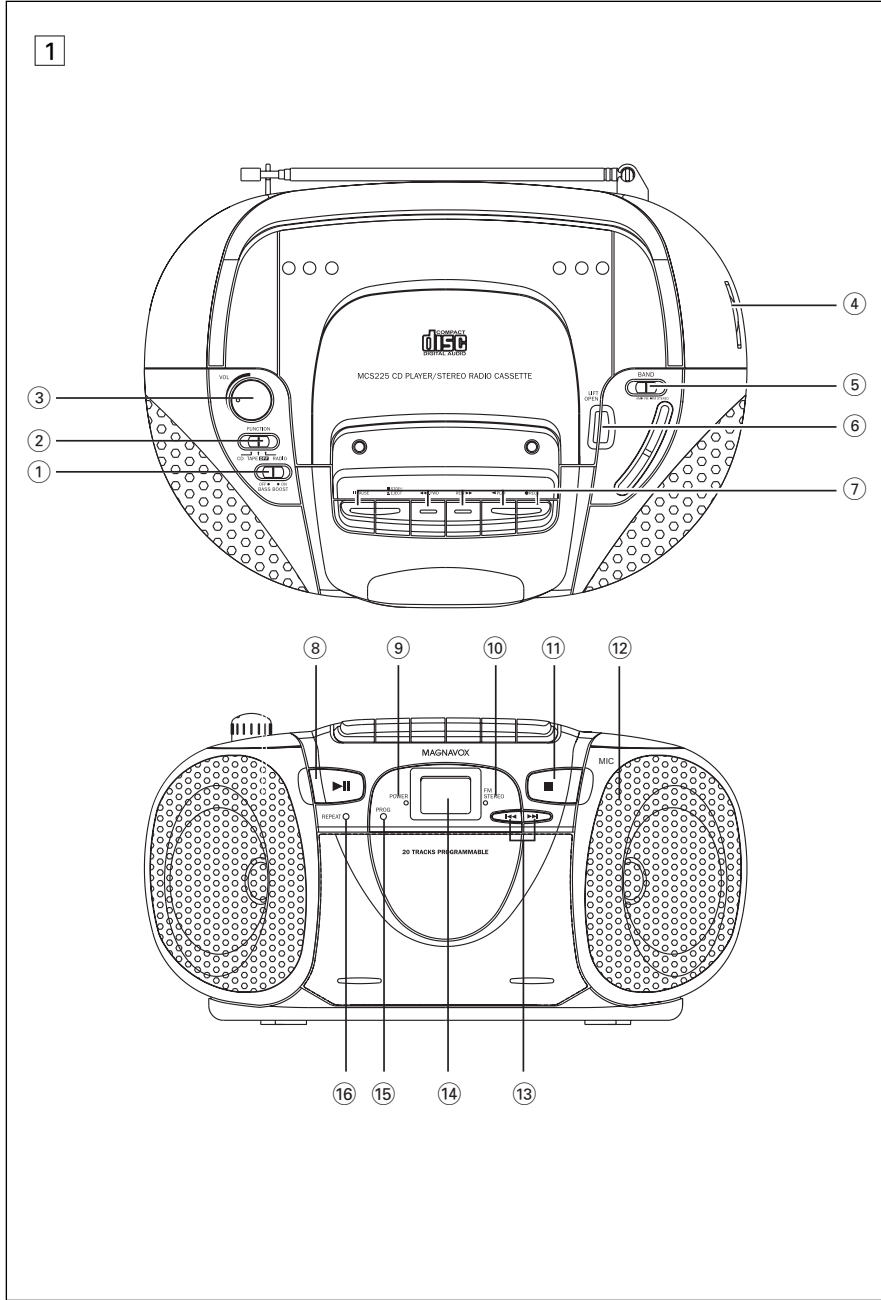
13. Unplug this apparatus during lightning storms or when unused for long periods of time.
14. Refer all servicing to qualified service personnel. Servicing is required when the apparatus has been damaged in any way, such as power-supply cord or plug is damaged, liquid has been spilled or objects have fallen into the apparatus, the apparatus has been exposed to rain or moisture, does not operate normally, or has been dropped.
15. **Battery usage CAUTION** - To prevent battery leakage which may result in bodily injury, property damage, or damage to the unit:  
Install all batteries correctly, + and - as marked on the unit.  
Do not mix batteries (old and new or carbon and alkaline, etc.).  
Remove batteries when the unit is not used for a long time.
16. Apparatus shall not be exposed to dripping or splashing.
17. Do not place any sources of danger on the apparatus (e.g. liquid filled objects, lighted candles).
18. This product may contain lead and mercury. Disposal of these materials may be regulated due to environment considerations.  
**For disposal or recycling information, please contact your local authorities or the Electronic Industries Alliance: [www.eiae.org](http://www.eiae.org).**

EL 6475-S004: 03/12

**Class II equipment symbol**   
This symbol indicates that the unit has a double insulation system

MAGNAVOX

Visit our World Wide Web Site at <http://www.usasupport.magnavox.com>



3

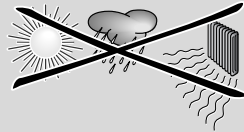


□

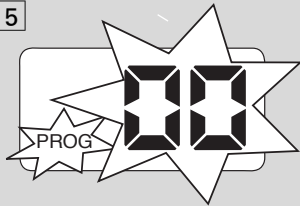
8



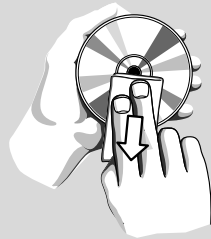
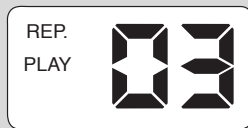
4



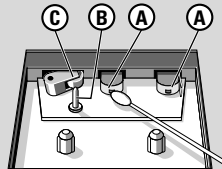
5



6



7



**This product complies with the FCC-Rules, Part 15 and with 21 CFR 1040.10. Operation is subject to the following two conditions:**

- 1. This device may not cause harmful interference, and**
- 2. this device must accept any interference received, including interference that may cause undesired operation.**

#### Canada

##### English:

This digital apparatus does not exceed the Class B limits for radio noise emissions from digital apparatus as set out in the Radio Interference Regulations of the Canadian Department of Communications.

##### Français:

Cet appareil numérique n'émet pas de bruits radioélectriques dépassant les limites applicables aux appareils numériques de Classe B prescrites dans le Règlement sur le Brouillage Radioélectrique édicté par le Ministère des Communications du Canada.

#### Environmental information

All unnecessary packaging material has been omitted. The packaging can be easily separated into three materials: cardboard, polystyrene and plastic.

**Your set consists of materials which can be recycled if disassembled by a specialized company. Please observe the local regulations regarding the disposal of packaging, dead batteries and old equipment.**

## English

### Supplied Accessories

– AC power cord

### Top and front panels (See [1])

- ① **BASS BOOST** – turns the bass enhancement on/off.
- ② **FUNCTION: CD, TAPE/ OFF, RADIO** – selects CD, tape or radio source of sound – power off switch
- ③ **VOL** – adjusts volume level
- ④ **TUNING** – tunes to radio stations
- ⑤ **BAND** – selects wavebands
- ⑥ **LIFT•OPEN** – lift here to open the CD door
- ⑦ **CASSETTE RECORDER keys**
  - II PAUSE** – pauses playback or recording
  - STOP/▲EJECT** – stops the tape – opens the cassette holder
  - ◀◀F.FWD/ REW▶▶** – fast winds/ rewinds tape
  - ◀PLAY** – starts playback
  - REC** – starts recording
- ⑧ **▶II** – starts or pauses CD playback.
- ⑨ **POWER indicator** – lights up when the set is powered on
- ⑩ **FM STEREO indicator** – lights up for stereo FM reception
- ⑪ **■** – stops playback; – erases a CD program
- ⑫ **MIC (built-in microphone)** – for voice recording
- ⑬ **◀◀ , ▶▶** – skips or searches a track/passage backward or forward
- ⑭ **Display** – shows CD functions
- ⑮ **PROG** – programs tracks and reviews the program
- ⑯ **REPEAT** – repeats a track/ CD program / entire CD

## Controls/Power Supply

### Back panel (See [2])

- ⑰ **Telescopic antenna** - improves FM reception
- ⑱ **🎧** – 3.5 mm stereo headphone socket  
**Helpful hints:** *The speakers will be muted when headphones are connected to the set.*
- ⑲ **AC ~** - inlet for power cord.
- ⑳ **Battery door** - open to insert 8 x 1.5V **R-14/ UM2/ C-cells.**

### CAUTION

**Use of controls or adjustments or performance of procedures other than herein may result in unsafe operation.**

### Power Supply

Whenever convenient, use the power cord if you want to conserve battery life. Make sure you remove the plug from the set and wall outlet before inserting batteries.

#### Batteries (not included)

- 1 Open the battery compartment and insert 8 batteries, type **R-14, UM-2** or **C-cells**, (preferably alkaline) with the correct polarity as indicated by the "+" and "-" symbols inside the compartment. (See [2])
- 2 Replace the compartment door, making sure the batteries are firmly and correctly in place. The set is now ready to operate.

**Batteries contain chemical substances, so they should be disposed of properly.**

## Power Supply

- *Incorrect use of batteries can cause electrolyte leakage and will corrode the compartment or cause the batteries to burst:*
- *Do not mix battery types: e.g. alkaline with carbon zinc. Only use batteries of the same type for the set.*
- *When inserting new batteries, do not try to mix old batteries with the new ones.*
- *Remove the batteries if the set is not to be used for a long time.*

#### Using AC power

**WARNING:** *Always check you have completely switched off the set, before you change or disconnect power supply.*

- 1 Check if the power voltage, **as shown on the type plate located on the bottom of the set**, corresponds to your local power supply. If it does not, consult your dealer or service center.
  - 2 Connect the power cord to the **AC ~** inlet and the wall outlet. The power cord is now connected and ready for use.
  - 3 To switch the set off completely, withdraw the power cord from the wall socket.
- Disconnect the power cord from the wall socket to protect your set during heavy thunderstorms.

**The model and serial numbers are located on the bottom of the set.**

#### Helpful hints:

- *To avoid unnecessary energy consumption, always adjust **FUNCTION** to **TAPE/ OFF** after using the set. Also check that the tape deck keys are released.*

## General Operation/Radio

### General operation

- 1 To select your sound source, adjust **FUNCTION** to: **CD, TAPE/ OFF** or **RADIO**.
- 2 To switch off the set, adjust the source selector to **TAPE/ OFF** position and check the cassette keys are released.

#### Adjusting volume and sound

Adjust the sound with the **VOL** and **BASS BOOST** controls.

### Radio reception

- 1 Adjust **FUNCTION** to **RADIO**.
- 2 Adjust **BAND** to select your desired waveband, **AM** or **FM STEREO**
- 3 Turn **TUNING** to tune to a station. – **FM STEREO** lights up for stereo FM reception.

#### To improve radio reception:

- For **FM**, extend and turn the telescopic antenna for best reception. Reduce its length if the signal is too strong.  
To tune to a weak FM station, adjust **BAND** to **FM** (mono).
- For **AM**, the set uses a built-in antenna. Direct this antenna for best reception by turning the whole set.

## CD Player

### Playing a CD

This CD player plays Audio Discs including CD-Recordables (CD-R).

- CD-Rewritables (CD-RWs), MP3 CD-ROMs, CD-I, CDV, VCD, DVD or computer CDs are not possible for playback.
  - CDs encoded with **copyright protection technologies** by some record companies may be unplayable by this product.
- 1 Adjust **FUNCTION** to **CD**.
  - 2 Open the CD door; and insert a CD/ CD-R with the printed side facing up and press the CD door gently close.  
→ Display shows -- and later, the total number of tracks. (See [3])
  - 3 Press **▶II** on the set to start playback.
  - 4 To pause playback press **▶II**.  
→ Display: **PLAY** flashes. (See [4])
  - 5 To resume, press **▶II** again
  - 6 To stop CD playback, press **■**.

**Helpful hints :** CD play will also stop when:

- you open the CD compartment;
- you select **RADIO** or **TAPE/ OFF** sound source;
- the CD has reached the end.

### Selecting a different track

- Press **◀◀** or **▶▶** once or repeatedly until the desired track number appears in the display.
- In the pause/stop position, press **▶II** to start playback.

### Finding a passage within a track

- 1 During playback, press and hold **◀◀** or **▶▶**.  
→ The CD is played at high speed.
- 2 When you recognize the passage you want, release **◀◀** or **▶▶** to resume normal playback.

**Helpful hints :** When searching within a final track and you reach the end of the last track, the CD goes to stop mode.

### Programming track numbers

You may store up to 20 tracks in the desired sequence. If you like, store any track more than once.

- 1 In the stop position, press **PROG** to activate programming.  
→ Display: **PROG** and **⏏** flashes. (See [5])
- 2 Press **◀◀** or **▶▶** to select your desired track number:
- 3 Press **PROG** to store the desired track number.  
→ Display: **PROG** and **⏏** flashes for you to program the next track..
- 4 Repeat steps 2 to 3 to select and store all desired tracks in this way.  
→ If you attempt to store more than 20 tracks, no track can be selected and the display shows --.
- 5 To play your program, press **▶II**.

**Helpful hints :**

- **When playback of your program comes to the stop position, your set will return to normal playback. To re-enter program mode, press PROG in the stop position.**

### Reviewing the program

In the stop position, press **PROG** repeatedly to see your stored tracks.

### Erasing a program

You can erase the contents of the memory by:

- selecting **TAPE/ OFF** or **RADIO** sound source;
- opening the CD door;
- in the stop position, press **PROG** to enter program mode and then, press **■**.

## CD /Cassette Recorder

### Different play modes: REP. and REP.A (See [6], [7])

You can select and change the play modes before or during playback, and combine the modes with **PROG**.

**REP.** – plays the current track continuously.

**REP.A** – repeats the entire CD/program

- 1 To select play mode, press **REPEAT** once or more.
- 2 Press **▶II** to start playback if in the stop position.
- 3 To return to normal playback, press **REPEAT** repeatedly until the modes are no longer displayed.  
– You can also press **■** to cancel your play mode.

### Cassette playback

- 1 Adjust **FUNCTION** to **TAPE/ OFF**.
- 2 Press **■STOP/▲EJECT** to open the cassette holder and insert a cassette and close the deck.
- 3 Press **◀PLAY** to start playback.
- 4 To pause playback press **II PAUSE**. To resume, press the key again.
- 5 By pressing **◀◀F.WD/ REW ▶▶**, fast winding of the tape is possible in both directions.
- 6 To stop the tape, press **■/▲**.

**Helpful hints:**

- During playback, the keys are automatically released at the end of a tape and the set is switched off (unless **II PAUSE** mode has been activated.)
- During fast forwarding/rewinding, the keys will not be released at the end of a tape. To switch off the set, make sure the cassette keys are also released.

## Cassette Recorder

### General information on recording

- Recording is permissible insofar as copyright or other rights of third parties are not infringed.
- For recording, use only NORMAL type cassettes (IEC type I) on which the tabs have not yet been broken. This deck is not suited for recording on CHROME (IEC II) or METAL (IEC IV) type cassettes.
- The best recording level is set automatically. Altering the **VOL** or **BASS BOOST** will not affect the recording.
- To protect a tape from accidental erasure, break out the tabs. If you wish to record again, cover the tabs with a piece of adhesive tape.

### Recording from the CD Player

- 1 Select **CD** source.
- 2 Insert a CD and if desired, program track numbers.
- 3 Press **■/▲** to open the cassette holder. Insert a blank tape and close the deck.
- 4 Press **● REC** to start recording.
- 5 Press **▶II** on the set to start CD playback.
- 6 For brief interruptions press **II**. To resume recording, press **II** again.
- 7 To stop recording, press **■/▲**.

### Recording from the Radio

- 1 Select **RADIO** source.
- 2 Tune to the desired radio station (see **Radio reception**).
- 3 Follows steps 3, 4, 6, 7 under **Recording from the CD Player**.

### Making your recording

- 1 Select **TAPE** source.
- 2 Follows steps 3-4 under **Recording from the CD Player**.
- 3 Speak towards the built-in microphone (located on the right speaker; see [1]).
- 4 Follows steps 6-7 under **Recording from the CD Player**.

## Maintenance & safety (See 8)

### CD player and CD handling

- If the CD player cannot read CDs correctly, use a cleaning CD to clean the lens before taking the set to repair.
- The lens of the CD player should never be touched!
- Sudden changes in the surrounding temperature can cause condensation on the lens of your CD player. Playing a CD is then not possible. Do not attempt to clean the lens but leave the set in a warm environment until the moisture evaporates.
- Always close the CD-tape door to avoid dust on the lens.
- To clean the CD, wipe in a straight line from the center towards the edge using a soft, lint-free cloth. Do not use cleaning agents as they may damage the disc.
- Never write on a CD or attach any stickers to it.

### Tape deck maintenance

To ensure quality recording and playback of the tape deck, clean parts (A), (B) and (C) as shown, once a month. Use a cotton bud slightly moistened with alcohol or a special head cleaning fluid to clean the deck.

- 1 Open the cassette holder by pressing ■▲.
- 2 Press ◀ and clean the roller (C).
- 3 Press II and clean the heads (A), and the capstan (B).
- 4 After cleaning, press ■.  
→ Cleaning of the heads can also be done by playing a cleaning cassette through once.

### Safety information

- Place the set on a flat, hard and stable surface so that the system does not tilt.
- Do not expose the set, batteries, CDs to humidity, rain, sand or excessive heat caused by heating equipment or direct sunlight.
- The apparatus shall not be exposed to dripping or splashing.
- Adequate ventilation with a minimum gap of 15cm (6 inches) between the ventilation holes and surrounding surfaces is necessary to prevent heat build-up.
- Do not cover the ventilation openings with items such as newspapers, table-cloths, curtains, etc.
- No objects filled with liquids, such as vases, shall be placed on the apparatus.
- No naked flame sources, such as lighted candles, should be placed on the apparatus.
- The mechanical parts of the set contain self-lubricating bearings and must not be oiled or lubricated.
- To clean the set, use a dry cloth. Do not use any cleaning agents containing alcohol, ammonia, benzene or abrasives as these may harm the housing.

## Troubleshooting

If a fault occurs, first check the points listed below before taking the set for repair.

If you are unable to remedy a problem by following these hints, consult your dealer or service centre.

**WARNING:** *Do not open the set as there is a risk of electric shock. Under no circumstances should you try to repair the set yourself, as this will invalidate the guarantee.*

### Problem

- Possible cause
- Remedy

### No sound /power

- Volume not adjusted
- Adjust the VOL
- Power cord not securely connected
- Connect the AC power cord properly
- Batteries dead/ incorrectly inserted
- Insert (fresh) batteries correctly
- Headphones connected to the set
- Disconnect headphones.
- CD contains non-audio files
- Press ◀, ▶ once or more to skip to a CD audio track, instead of the data file.

### Display does not function properly/ No reaction to operation of any of the controls

- Electrostatic discharge
- Switch off and unplug the set. Reconnect after a few seconds

### The CD skips tracks

- CD damaged or dirty
- Replace or clean CD
- Program is active
- Quit program mode

### --, Er or ⏪ / indication

- No CD inserted
  - Insert a CD
  - CD badly scratched or dirty
  - Replace/ clean CD, see Maintenance
- Note:** *A CD badly scratch or dirty may result in improper operation.*
- Laser lens steamed up
  - Wait until lens has cleared
  - CD-R is blank or not finalized/ CD-RW inserted
  - Use a finalized CD-R or suitable CD Audio disc only

### Note:

**Make sure the CD is not encoded with Copyright protection technologies, as some do not conform to the Compact Disc standard.**

### Poor cassette sound quality

- Dust and dirt on the heads, etc.
- Clean deck parts, see Maintenance
- Use of incompatible cassette types (METAL or CHROME)
- Only use NORMAL (IEC I) for recording

### Recording does not work

- Cassette tab(s) may be broken
- Apply adhesive tape over the missing tab space

## MAGNAVOX LIMITED WARRANTY

### Ninety (90) Days Free Product Exchange

**MAGNAVOX** warrants this product against defect in material or workmanship, subject to any conditions set forth as follows:

#### PROOF OF PURCHASE:

You must have proof of the date of purchase to exchange the product. A sales receipt or other document showing the product and the date that you purchased the product as well as the authorized retailer included, is considered such proof.

#### COVERAGE:

Warranty coverage begins the day you buy the product. For a period of ninety (90) days from the date of purchase, if the product is determined to be defective, Magnavox will exchange the defective product with a new or renewed product, at its option, at no charge. The replacement product is covered only for the warranty period of the original product. When the warranty on the original product expires, the warranty on all replaced products also expires. When it is necessary for you to ship the product to Magnavox for exchange, you will pay the shipping cost for shipment to Magnavox. Magnavox will pay the shipping costs when returning a product to you.

Note: The exchange model supplied will be the most comparable one in Magnavox current inventory. Shipping of your product to Magnavox implies intent to follow the specified requirements of the warranty and exchange program. Product received by Magnavox cannot be returned. Replacement product can only be sent if all warranty requirements are met. Failure to follow all requirements can result in delay of exchange process.

#### EXCLUDED FROM WARRANTY COVERAGE

Your warranty does not cover:

- Shipping charges to return defective product.
- Labor charges for installation or setup of the product, adjustment of customer controls on the product, and installation or repair of antenna systems outside of the product.
- Product repair and/or part replacement because of improper installation, connections to improper voltage supply, abuse, neglect, misuse, accident, unauthorized repair or other cause not within the control of Magnavox.
- A product that requires modification or adaptation to enable it to operate in any country other than the country for which it was designed, manufactured, approved and/or authorized, or repair of products damaged by these modifications.
- Damage occurring to product during shipping when improperly packaged or cost associated with packaging.
- Product lost in shipment and no signature verification of receipt can be provided.
- A product used for commercial or institutional purposes (including but not limited to rental purposes).
- Product sold AS IS or RENEWED.

#### WHERE WARRANTY EXCHANGE IS AVAILABLE:

Exchange is available in all countries where Magnavox officially distributes the product. In countries where Magnavox does not distribute the product, the local Magnavox organization will attempt to exchange the product, although there may be a delay if the appropriate product is not readily available or special customs processes are implied.

#### FOR EXCHANGE IN THE U.S.A., PUERTO RICO, OR U.S. VIRGIN ISLANDS...

Contact Magnavox Customer Care Center at:  
1-800-705-2000

#### FOR EXCHANGE IN CANADA...

1-800-661-6162 (French Speaking)  
1-800-705-2000 (English or Spanish Speaking)

REPLACEMENT AS PROVIDED UNDER THIS WARRANTY IS THE EXCLUSIVE REMEDY FOR THE CONSUMER. MAGNAVOX SHALL NOT BE LIABLE FOR ANY INCIDENTAL OR CONSEQUENTIAL DAMAGES FOR BREACH OF ANY EXPRESS OR IMPLIED WARRANTY ON THIS PRODUCT. EXCEPT TO THE EXTENT PROHIBITED BY APPLICABLE LAW, ANY IMPLIED WARRANTY OF MERCHANTABILITY OR FITNESS FOR A PARTICULAR PURPOSE ON THIS PRODUCT IS LIMITED IN DURATION TO THE DURATION OF THIS WARRANTY.

Some states do not allow the exclusions or limitation of incidental or consequential damages, or allow limitations on how long an implied warranty lasts, so the above limitations or exclusions may not apply to you. In addition, if you enter into a service contract agreement with the MAGNAVOX partnership within ninety (90) days of the date of sale, the limitation on how long an implied warranty lasts does not apply.

*This warranty gives you specific legal rights. You may have other rights which vary from state/province to state/province.*

Magnavox, P.O. Box 671539, Marietta, GA. 30006-0026

(Warranty: 4835 710 27750)